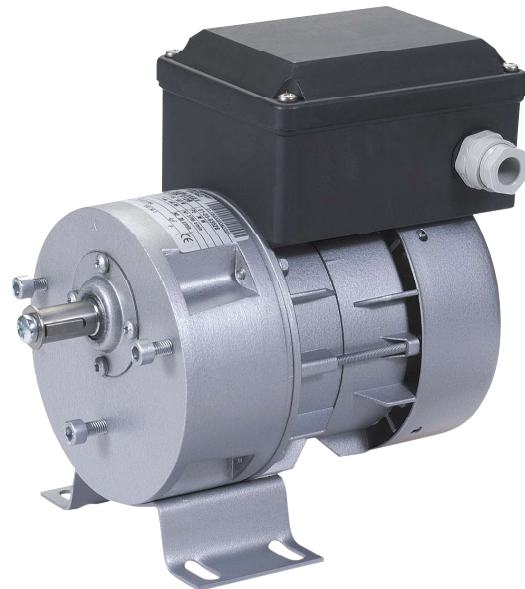


SMALL AND COMPACT

OUTPUT SHAFT ACCORDING TO THE SPECIFICATIONS OF YOUR AGITATION BLADE

TECHNICAL FEATURES :

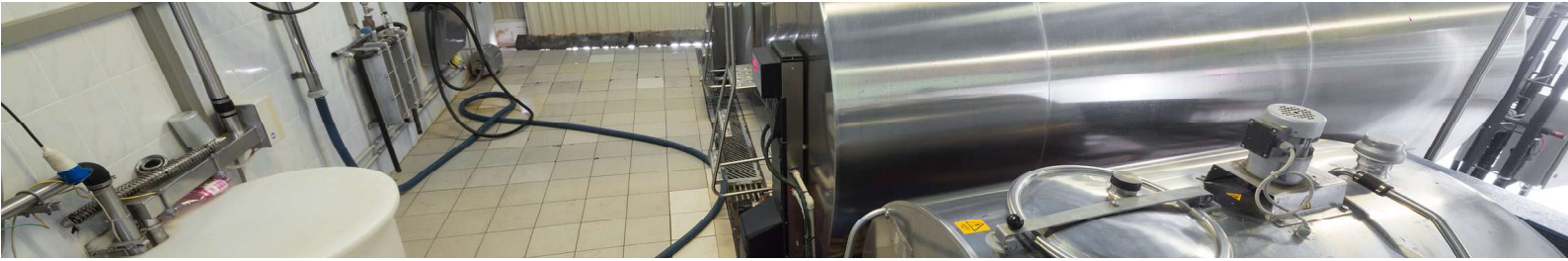
- 4 mountings available : see drawing
- 2 pole motor
- Class B insulation
- IP44 protection
- Single phase with capacitor
- Permanently lubricated
- 2 directions of rotation
- Thermal cut-out
- Terminal box 4 positions



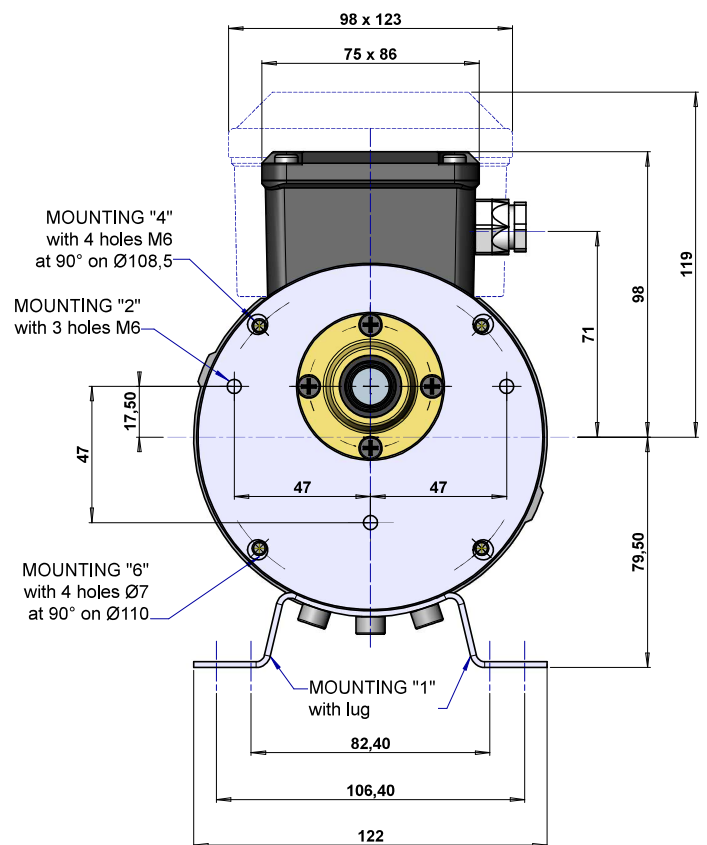
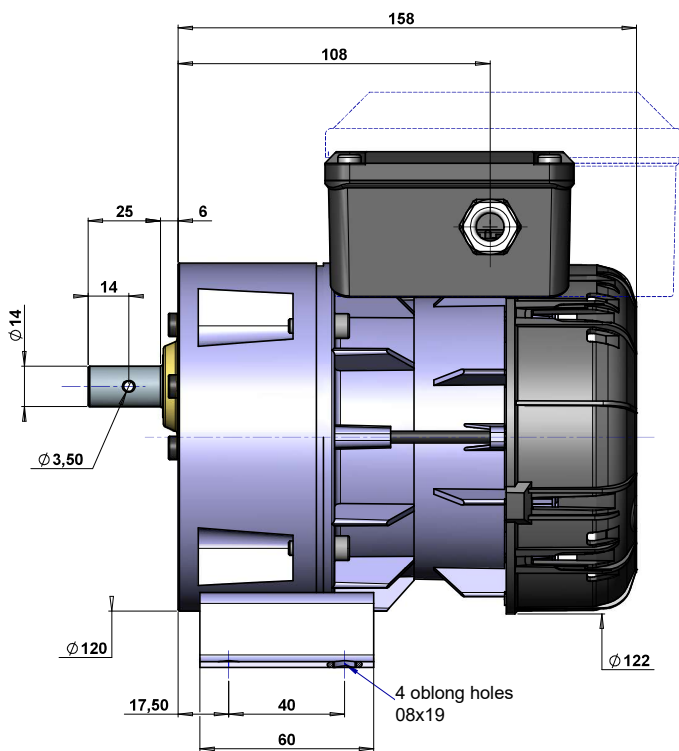
Technical features	Speed N2 RPM	Reduction ratio N2/N1	Nominal torque m.daN	Maximal load on slowshaft (1)		Weight Kg
				Radial daN	Axial daN	
R1C225FB	21	1/127	1,14	77	49	2,7
	30	1/90	0,81	69	40	
	40	1/69	0,62	64	36	
	48	1/57	0,51	61	33	

(1) Applied in the middle of the shaft end

Motor features	Single phase with capacitor 230V - 50Hz	Three phase 230/400V 50Hz	Nominal torque cm.N	Output power W	Speed N1 RPM	Current under 230V A	$\frac{I_A}{I_N}$	$\frac{C_d}{C_n}$	Cos
1C 225	•		13,4	38	2700	0,47	1,67	1,41	0,99

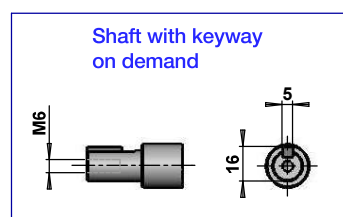


DIMENSIONS



OPTIONS

- IP55 protection
- Class F insulation
- Output shaft according to your agitator specifications
- Special voltages and frequencies (60Hz and 50/60Hz)
- Three phase motor
- Safety circuit breaker (micro-switch incorporated in the terminal box)



Terminal box positions

